

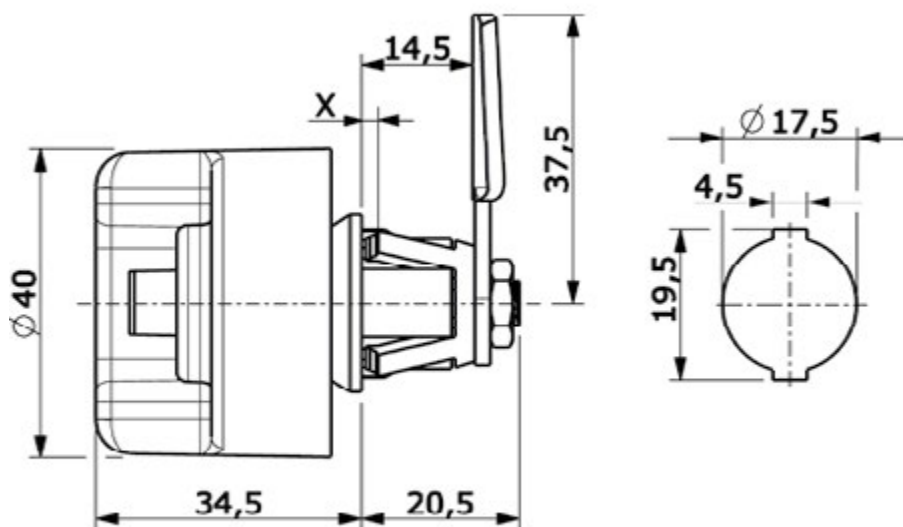
TECHNICAL DATA SHEET
LOCKS
PADLOCKABLE LOCK





CHARACTERISTICS

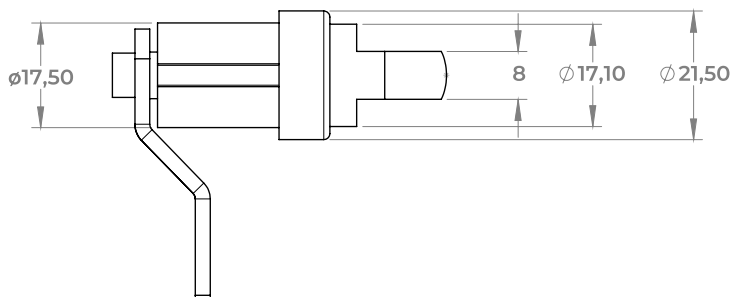
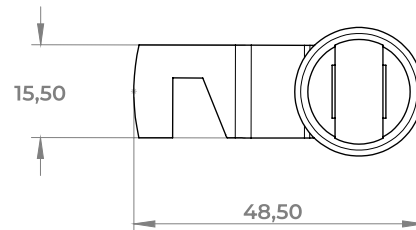
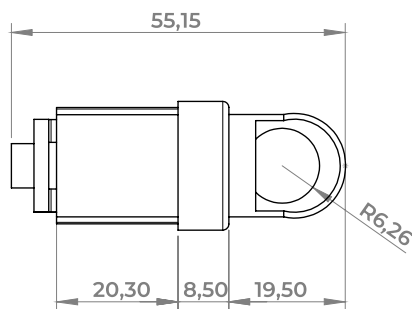
Padlockable polyamide lock





CHARACTERISTICS

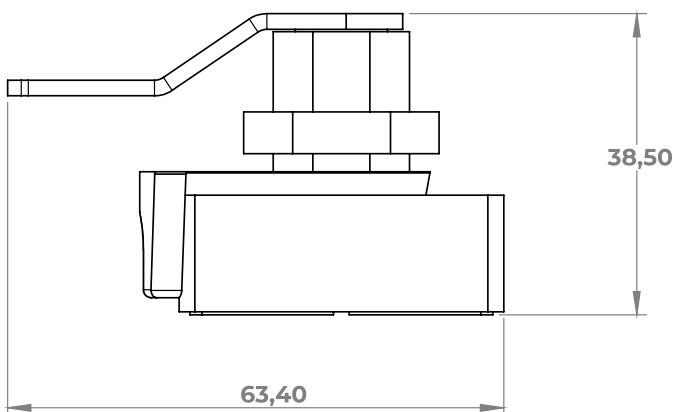
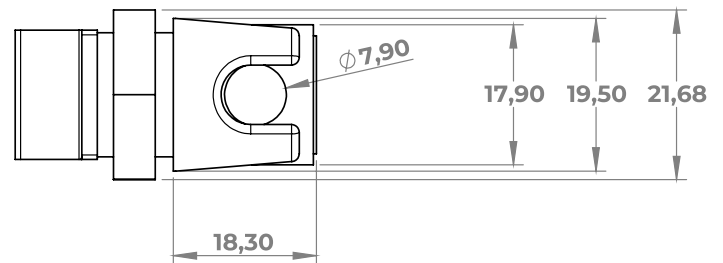
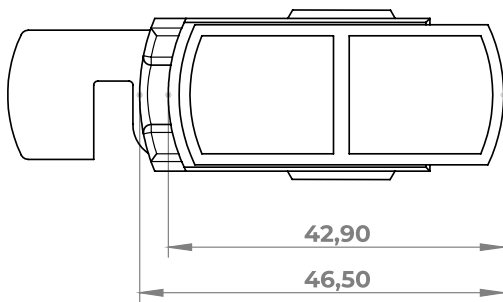
Metal padlockable for metallic lockers





CHARACTERISTICS

Metal padlockable for metallic lockers





CHARACTERISTICS

Metal padlockable for non-metallic lockers

