

TECHNICAL DATA SHEET  
**LEFT-LUGGAGE LOCKERS**  
*LUGGAGE SERIES*





# CHARACTERISTICS

Welded Monoblok locker boxes, manufactured with cold laminated sheet metal DC01, according to the European Norm EN 10130, with a carbon content of less than 0,12%.

Metal thickness of 1.5mm.

Point welding process.

Previous treatment of passivating and degreasing.

Dried in a polymerization oven at 180°C during 15 minutes.

Painting with Epoxy-polyester powder in robotized cabins.

Body and doors painted in grey RAL 7035 Micro-textured finish. Minimum thickness of the painting: 50 microns.

Reinforced and ventilated doors.

Coin operated lock (1E coin returnable) with removable cylinder and 2 keys.

Screws and nuts to join the locker boxes together with each other included.

Monoblok construction.





# METALLIC COLOURS

## STANDARD COLOUR



**RAL 7035**  
Luminous grey  
Código HEX: #c5c7c4

## GROUP 1



**RAL 5010**  
Gencana blue  
Código HEX: #004f7c

**RAL 9010**  
Pure white  
Código HEX: #f1ece1

**RAL 3000**  
Red  
Código HEX: #a72920

**RAL 6034**  
Pastel turquoise  
Código HEX: #7aacac

**RAL 7016**  
Anthracite grey  
Código HEX: #383e42

**RAL 9005**  
Intense black  
Código HEX: #0e0e10

## GROUP 2



**RAL 9001**  
Cream white  
Código HEX: #e9e0d2

**RAL 1017**  
Saffron yellow  
Código HEX: #f6a950

**RAL 1021**  
Rapeseed yellow  
Código HEX: #f6b600

**RAL 2004**  
Pure orange  
Código HEX: #e25303

**RAL 3017**  
Pink  
Código HEX: #cb555d



**RAL 3005**  
Wine red  
Código HEX: #59191f

**RAL 4005**  
Lilac  
Código HEX: #76689a

**RAL 6029**  
Mint green  
Código HEX: #006f3d

**RAL 5015**  
Sky blue  
Código HEX: #007cb0

**RAL 5023**  
Distant blue  
Código HEX: #42698c

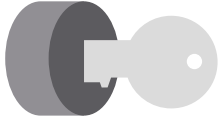


**RAL 9006**  
White aluminium  
Código HEX: #a1a1a0

**RAL 7036**  
Platinum grey  
Código HEX: #979392



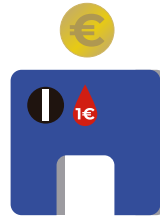
# LOCKS



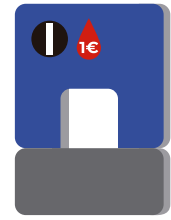
Key lock



Padlockable Metallic Lock 1



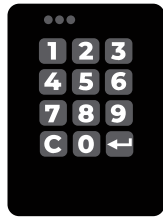
Coin-operated Lock  
(coin-return)



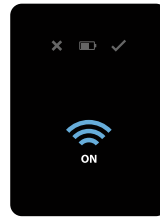
Coin-operated Lock + Coin  
Collect Box



Lock of 4 manual digits with  
emergency key



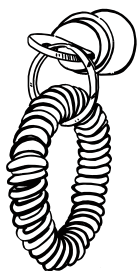
**TELEC**  
Electronic lock combination



**PROXI**  
Electronic lock of proximity



# OPTIONS



Elastic bracelet  
With numbering option



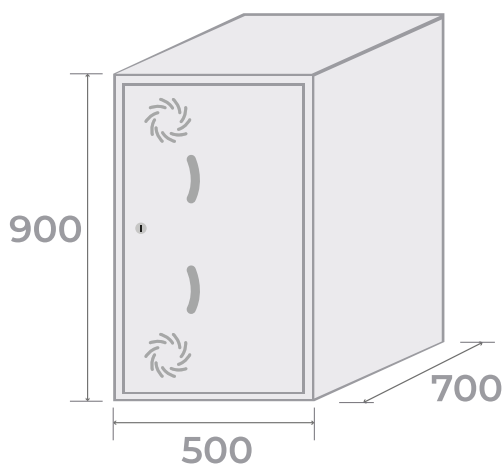
Numeration plate



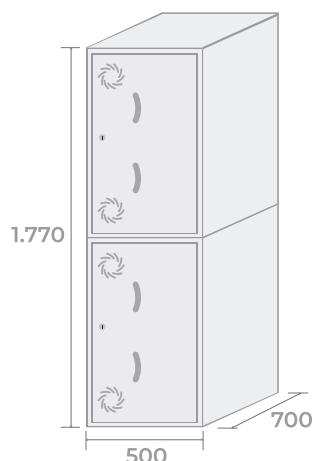
Antibacterial paint



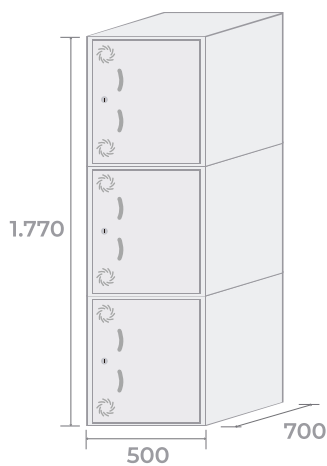
# COMBINATIONS AND DIMENSIONS



**CMAL1P**  
21kg · 0,37m<sup>3</sup>



**CMAL2P**  
21kg · 0,37m<sup>3</sup>



**CMA3P**  
21kg · 0,37m<sup>3</sup>



# INTERIOR MEASUREMENTS

## Height x Width x Depth

**CAMLIP**

**842x417x655 mm**

**CAMLIP**

**842x417x655 mm**

**CAMLIP**

**551x417x655 mm**